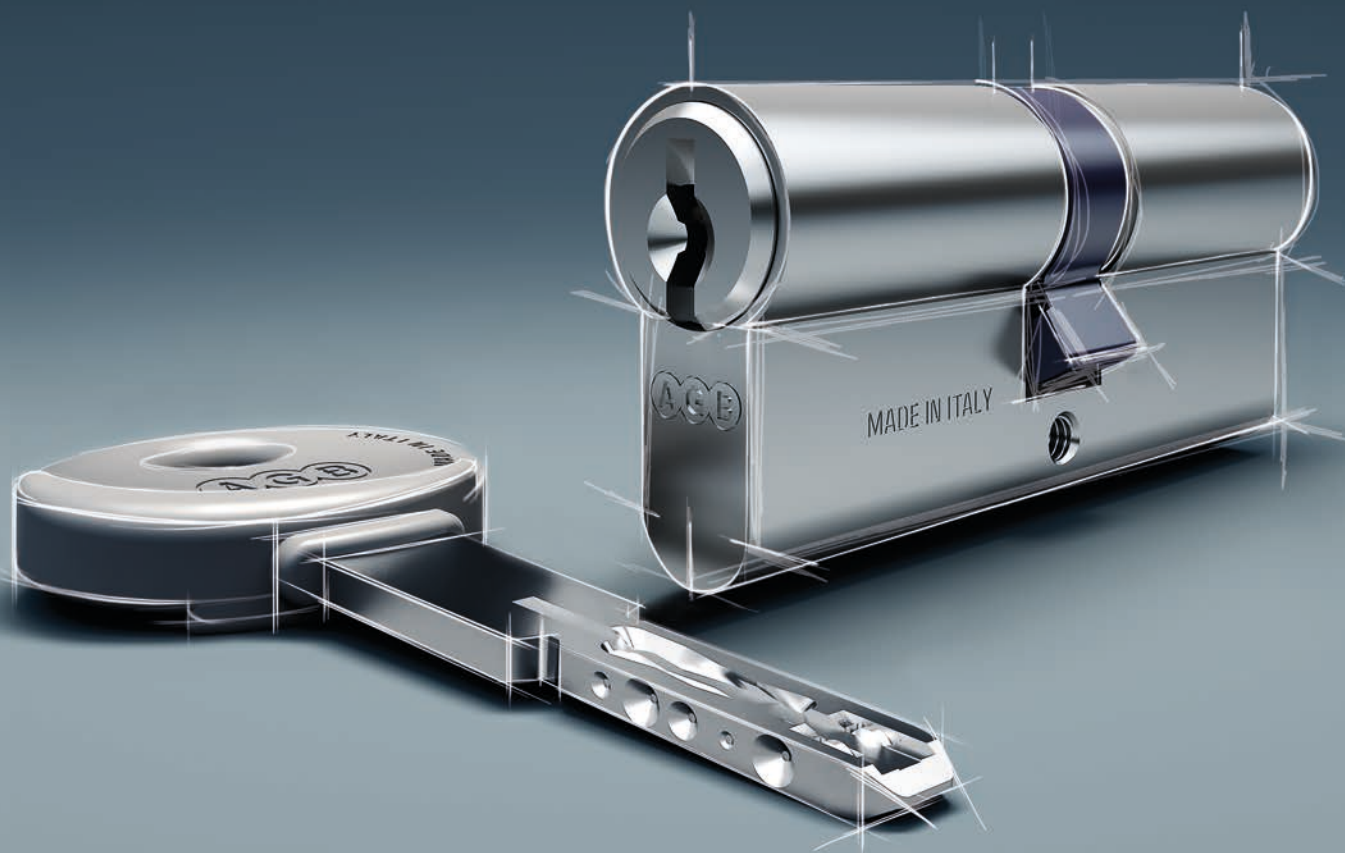


# CYLINDERS

## TECHNOLOGY & SECURITY

MADE IN ITALY



Open, Close, Live

# MADE IN ITALY

---

We are made in ITALY.

The company strategy is based on the values of the Italian culture, which is recalled on the production process and marketing choices: **Italian production**, product customisation, passion for research and creativity are the main guidelines to develop the perfect product for each customer.

---



ITALIAN PRODUCTION



MADE FOR YOU



CREATIVITY AND INNOVATION



PARTNERSHIP



DESIGN



## CYLINDERS

AGB offers a complete range of cylinders and accessories to satisfy all the requests about security and access control, giving the perfect solution for each kind of installation.

AGB cylinders are completely made in Italy, in the dedicated plant in Pove del Grappa.

Every cylinder exceeded the strict tests required by the European regulation UNI EN 1303, guaranteeing security, quality and long-lasting durability.

---

 Made in Italy

 Dedicated cylinders plant

 Certified cylinders

# TECHNOLOGY

INNOVATION AND QUALITY



## EXTREME PRECISION

Every component of the cylinder is treated in a detailed way for a high-quality result.

A very high precision for a perfect functioning both when they open and close the door.



Maximum precision



Attention to details



High quality



## AUTOMATED ASSEMBLY

The dedicated cylinders plant, the continuous investments in automation and the qualified staff guarantee the cylinders delivery in an express way all over the world.

Technologic research and direct control of every production step let us customise our cylinders, according to the customers needs.



Automated production



Express delivery



Customisation

# AUTOMATIC TESTS

Our cylinders have to pass strict tests and controls in every production step.

Automatic controls are so accurate that they can simulate the movement of the hand turning the key.

Every AGB cylinder has been tested before the packaging insertion.



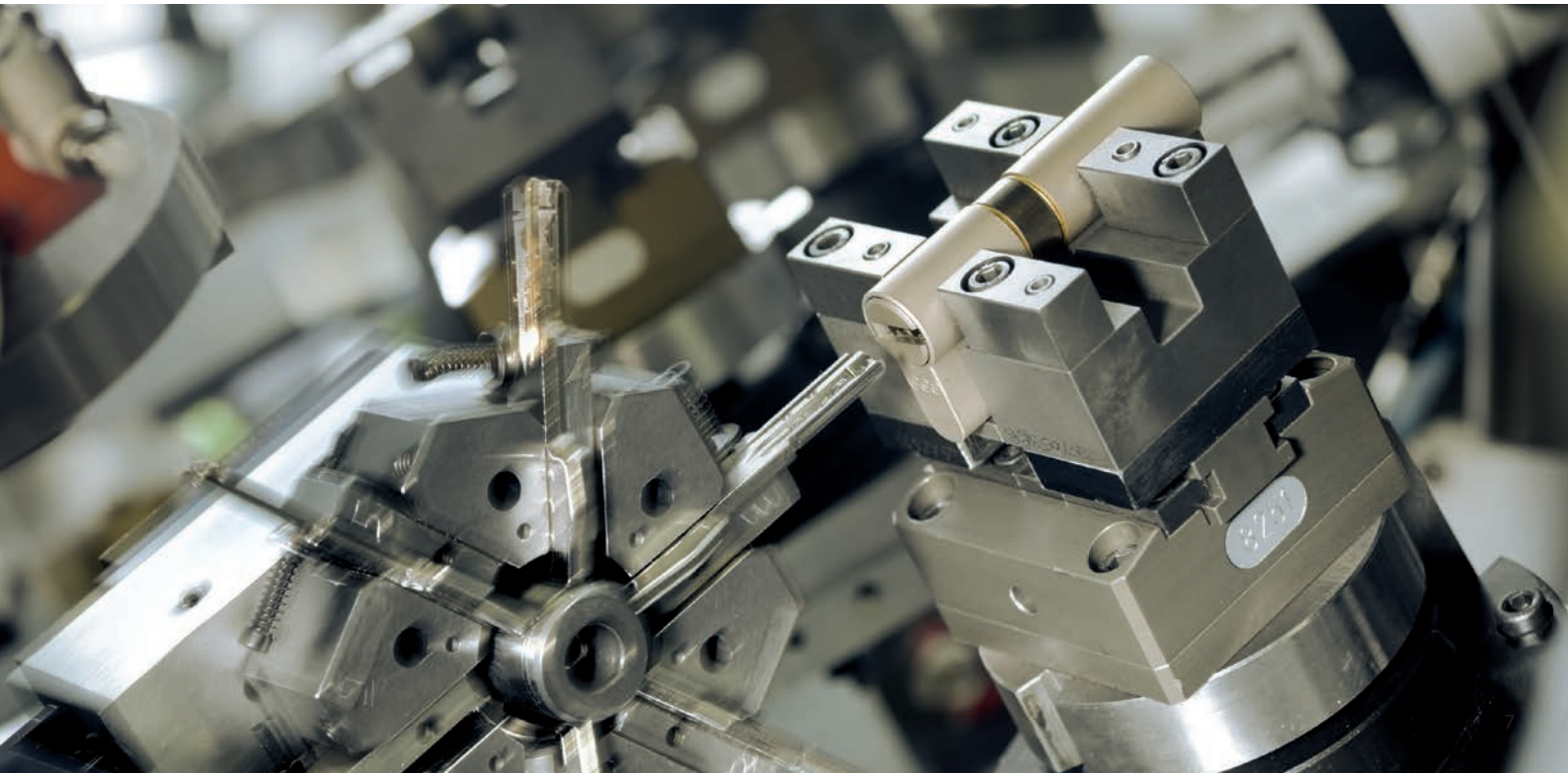
Strict tests in *AGBLab*



Automated control



Tested one by one



# SECURITY

PROTECTION FOR YOU





## AGB CYLINDERS

A warranty of security



Cylinder is the first deterrent against the break-in attempts.

AGB cylinders have been provided by the best technology to guarantee high security features to protect your home.



High bumping resistance



Hardened steel anti-drill pins



U-shaped reinforcement

## AGB KEYS

Billions of combinations



The more the combinations are, the better is the warranty to have a unique key. Moreover, several combinations allow the management and the control of the accesses by means of the systems development.



Controlled duplication



Ergonomic grip



Key system management

# CYLINDERS AND ACCESSORIES RANGE

Complete range of European profile security cylinders, produced according with the regulation UNI EN 9570 and tested according to the UNI EN 1303.

Cylinders SCUDO and PS offer high levels of passive and active security.

AGB cylinders include flat reversible keys in brass and silver for a better resistance against torsion.

## SCUDO DCK



## SCUDO 9000



## 5000 PS



## Mod. 600



## COVERS

The key can be personalised with a wide range of interchangeable covers, available in different colours.



## U-TECH PS



## TENAX



The rim guard TENAX is compatible with all the cylinders, mod. SCUDO and PS. It significantly enhances the door security from the break-in attempts.

# GUIDE FOR THE CYLINDER CHOICE

To identify the most suitable cylinder for your needs, we introduced an easy diagram for every available cylinder.



### ANTI-BURGLAR

It indicates the resistance level to the attack with the anti-burglar methods known until now and considered by the regulation EN UNI 1303.



### SYSTEMS

It indicates the number of possible combinations for every cylinder according with the regulation UNI EN 1303 and the level of difficulty in the key duplication.



### DURATION

It indicates the cylinder resistance in relation to the number of opening and closing cycles in compliance with the regulation UNI EN 1303.



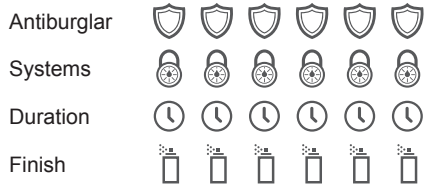
### FINISH

It indicates the resistance level to thermal and climate stresses, as provided by the regulation UNI EN 1303. This parameter considers the corrosion resistance in order to keep the right functioning onward.

The evaluation of every cylinder is based on certified test results provided by the regulation UNI EN 1303, integrated with the results of strict tests done in the Research & Development Laboratory AGBLab.

# SCUDO DCK

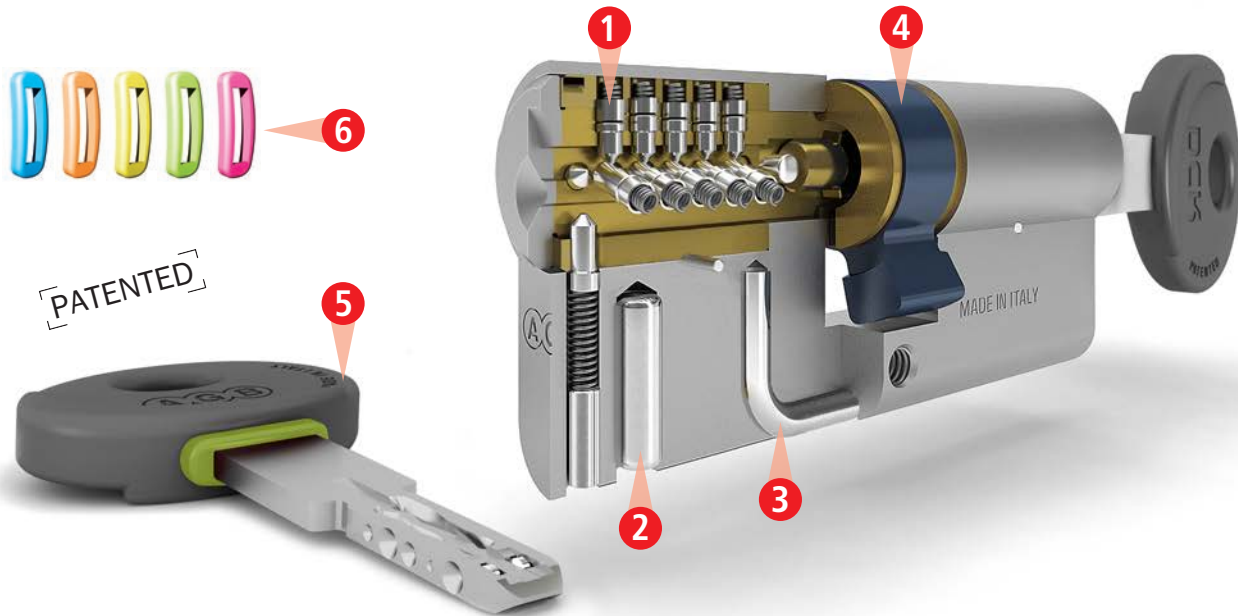
High security cylinder with Duplicated Controlled Key



Cylinder classification - summary table on page 22

UNI EN 1303:2015 - ICIM 0039CS							
1	6	0	B	0	C	6	D

ANTI-PICKING: Pass  
ANTI-BUMPING: Level 2



- Duplicated controlled key and protected by a PIN code.
- 15 radial and asymmetric pins in stainless steel and fixed pins to activate the key. ①
- Anti-drill pin in steel. ②
- Antiburglar insert in special steel. ③
- Anti-pull cam in sintered steel. ④
- 5 flat reversible keys. Special ergonomic grip patented by AGB. ⑤
- Customisable key with inserts of different colours (to be ordered separately). ⑥
- Also available in the double function version (2 keys inserted at the same time).
- Suitable for fire and smoke resistant doors.

# SCUDO 9000

Security cylinder with anti-intrusion element

Antiburglar



Systems



Duration



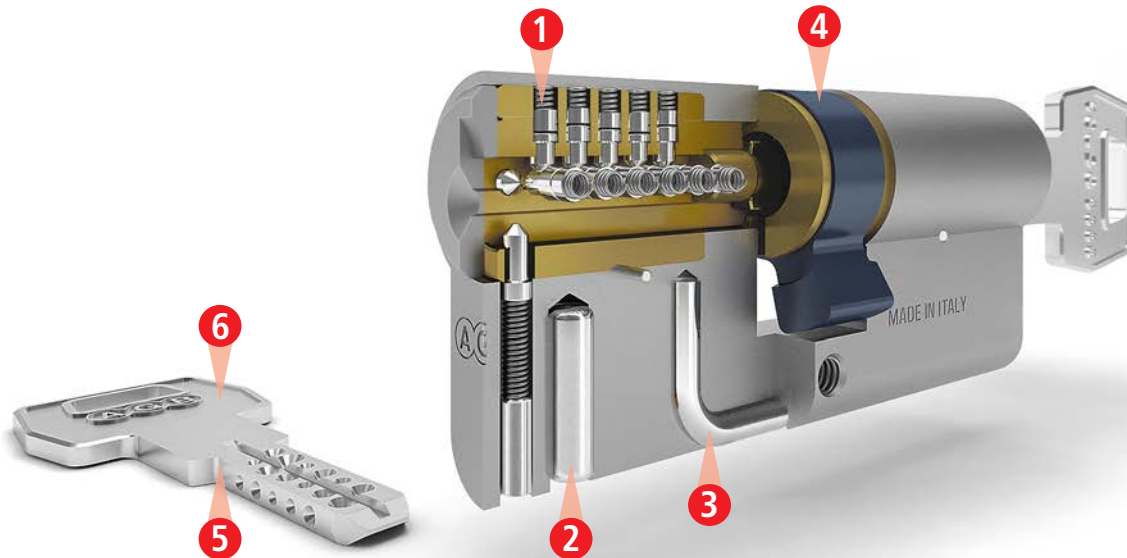
Finish



Cylinder classification - summary table on page 22

UNI EN 1303:2015 - ICIM 0039CS							
1	6	0	B	0	C	6	D

ANTI-PICKING: Pass



- 17 active pins and counterpins in stainless steel. ①
- Anti-drill pin in steel. ②
- Stainless steel reinforced element to prevent extraction of elements in case of damage due to break-in attempts. ③
- Anti-pull cam in sintered steel. ④
- 5 resistant flat reversible keys. ⑤
- Possibility to personalise the grip with many different coloured covers. ⑥
- Card with duplication code.
- Suitable for fire and smoke resistant doors.

## Reinforced security cylinder

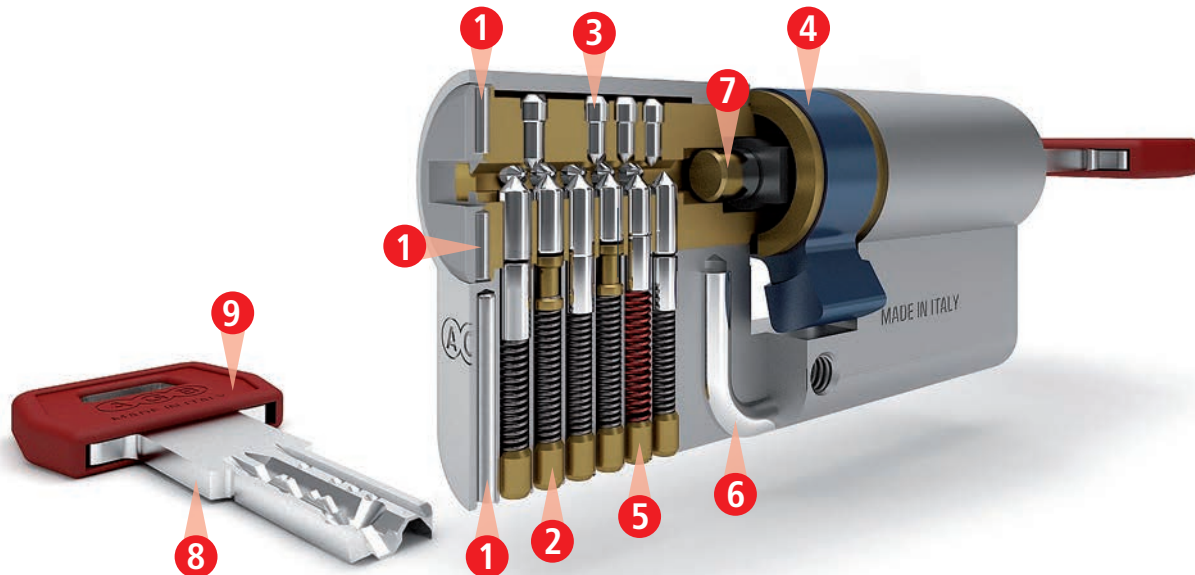
Antiburglar						
Systems						
Duration						
Finish						



Cylinder classification - summary table on page 22

UNI EN 1303:2015 - ICIM 0039CS							
1	6	0	B	0	C	6	D

ANTI-PICKING: Pass  
ANTI-BUMPING: Level 2



- 3 anti-drill pins in steel. ①
- 6 active pins ② and 9 passive pins ③ for a wide range of coding.
- Anti-pull cam in sintered steel. ④
- **High resistance to bumping**, certified according with ICIM 0039CS. ⑤
- Reinforced element in stainless steel: it prevents the cylinder extraction in case of break-in attempts. ⑥
- Friction coupling to open the door even when the key is inserted on the other side. ⑦
- 5 flat reversible keys with long neck that is resistant to torsion and protective rim guard. ⑧
- Possibility to personalise the grip with many different coloured covers. ⑨
- Card for the key duplication with double code (key and duplication).
- Suitable for fire and smoke resistant doors.

# 5000 PS

## Security cylinder with flat reversible key

Antiburglar



Systems



Duration



Finish



Cylinder classification - summary table on page 22

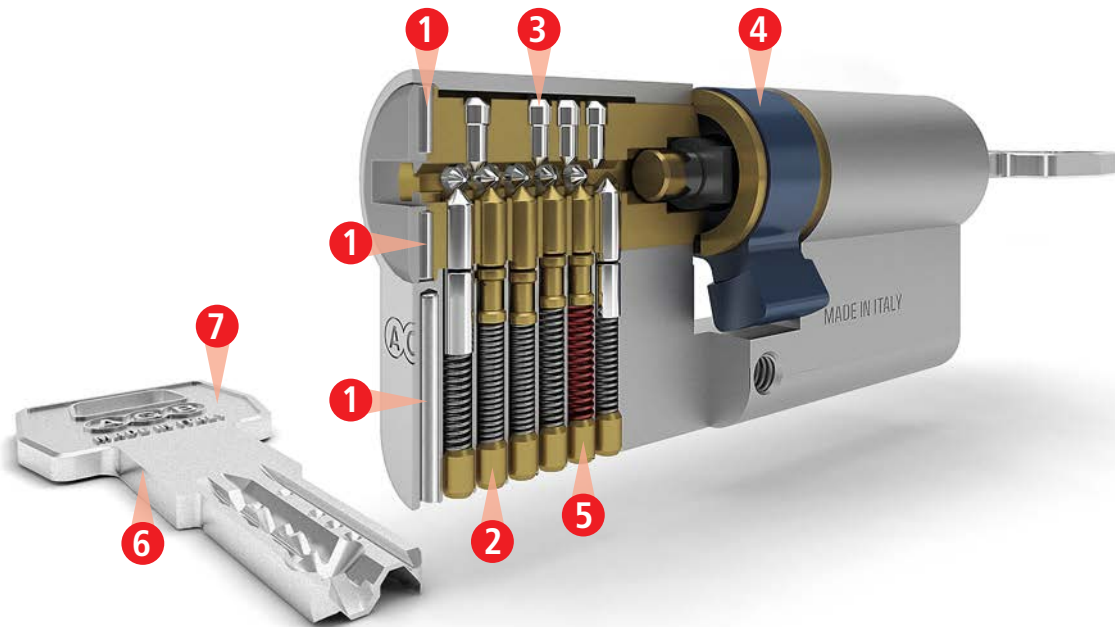
UNI EN 1303:2015 - ICIM 0039CS							
1	6	0	B	0	C	6	0

ANTI-PICKING:

Pass

ANTI-BUMPING:

Level 2



- 3 anti-drill pins in steel on each side. ①
- 6 active pins. ②
- 9 passive pins. ③
- Anti-pull cam in sintered steel. ④
- **High resistance to bumping**, certified according with ICIM 0039CS. ⑤
- 5 flat reversible keys with long neck that are resistant to torsion. ⑥
- Possibility to personalise the grip with many different coloured covers. ⑦
- Available with double function (2 keys inserted in the same time).
- Suitable for fire and smoke resistant doors.

# 600

## Cylinder with profiled key

Antiburglar



Systems



Duration



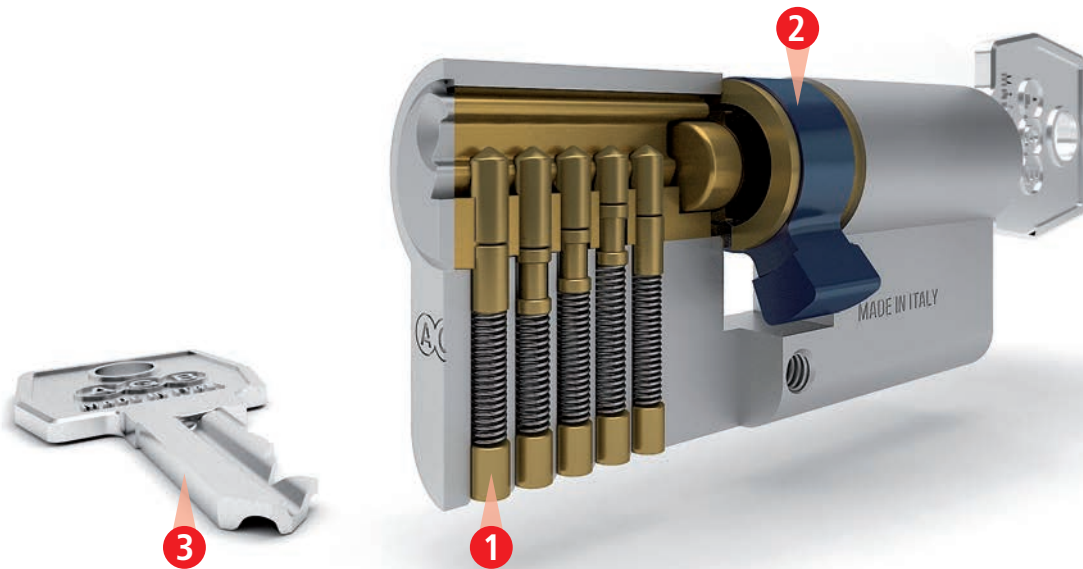
Finish



Cylinder classification - summary table on page 22

UNI EN 1303:2015 - ICIM 0039CS							
1	6	0	B	0	C	3	0

ANTI-PICKING: Pass



- 4 or 5 pins in brass for the coding. ①
- Anti-pull cam in sintered steel. ②
- 3 profiled keys. ③
- Wide possibility of existing coding.
- Suitable for fire and smoke resistant doors.

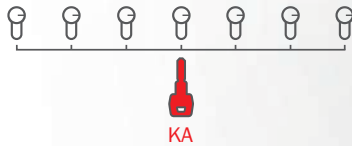


# KA SYSTEM: THE PERFECT SOLUTION FOR PRIVATE HOUSES

## KA

### Key alike system

All cylinders have the same code and can therefore be opened with the same key.

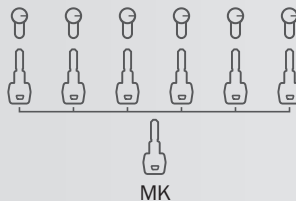


## COMPLEX SYSTEMS

## MK

### Master key system

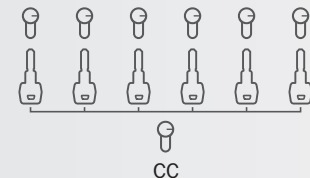
Each cylinder is opened with its own key, and no other cylinder of the system can be opened. All cylinders can be opened by management's master key MK.



## CC

### Central cylinder system

Each cylinder is provided with its own key which cannot open any other cylinder of the system. All keys of the system can open the central lock cylinder.





Open, Close, Live

**Alban Giacomo spa**

Via A. De Gasperi, 75  
36060 Romano d'Ezzelino (VI) Italy  
+39 0424 832 832  
[www.agb.it](http://www.agb.it) - [info@agb.it](mailto:info@agb.it)

MADE IN ITALY

A small graphic of the Italian flag, consisting of three horizontal stripes of green, white, and red, positioned below the text 'MADE IN ITALY'.