



Play safe  
with your locks!



DOM SICHERHEITSTECHNIK  
GMBH & CO.KG  
Wesseling Straße 10-16  
D-50321 Brühl/Cologne  
T +49 (0)2232 704 0  
E dom@dom-group.eu  
www.dom-group.eu

RONIS DOM LTD.  
UNIT 1 JUNCTION 2  
INDUSTRIAL ESTATE  
Demuth Way  
Oldbury  
GB-Birmingham B69 4LT  
T +44(0)121 - 5 69 77 90  
E sales@ronis-dom.co.uk  
www.ronis-dom.co.uk

People and values deserve protecting. End of story. With committed employees and experts and our continual striving for innovation we develop top-quality locking and access solutions.

Your professional security adviser:

DOM Security was founded by Henri Morel in Paris. We have more than 20 sales & service branches all over Europe and more than 10 manufacturing locations.  
[www.dom-security.com](http://www.dom-security.com)

we domore for security

# DOM ix TwinStar®

Two rollers – double safety



## Advantages

- Very high key copy protection
- High manipulation protection
- Suitable for the realisation of large and complex locking systems

IT No. MKTIFE298938 / EN / 1 /03.17 We reserve the right to make technical changes.



# DOM ix TwinStar®

## Two rollers – double safety

With the ix TwinStar® DOM is once again underlining its comprehensive expertise in the field of mechanical locking technology. The new reversible key system is particularly well protected against unauthorised copying thanks to the float-mounted double roller in the key. Thanks to a complex system – 11 sprung tumblers, of which 10 are pin tumblers and 1 is a locking shaft tumbler – it is suitable for all buildings from private homes to large buildings with high safety standards. In addition, the convenient “2-in-1” version for registered individual locks and locking systems (from 3rd quarter 2017) makes it possible to deactivate the first set of keys by recoding the cylinder if a key gets lost. The ix TwinStar® is available from April 2017.

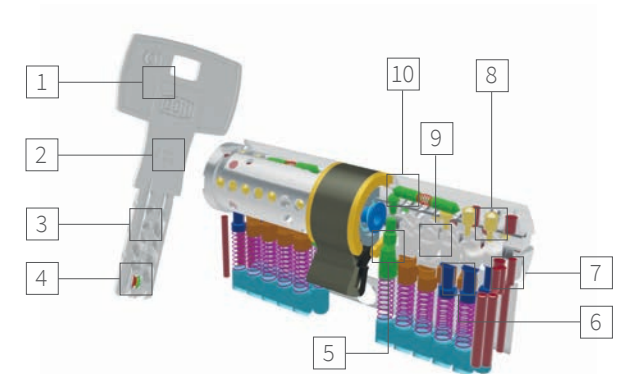
## Advantages

- **KEY INCLUDING MOVING DOUBLE ROLLER – PATENT PENDING FROM THE EUROPEAN PATENT OFFICE**
- **VERY HIGH TECHNICAL KEY COPY PROTECTION**  
Innovative, float-mounted double roller in the key tip
- **ROBUST, DURABLE KEY FROM STONG MATERIAL**  
The key lasts long as it is made of silver nickel.
- **LENGTH OF KEY BLADE MATCHED TO ALL STANDARD SAFETY FITTINGS**
- **HIGH MANIPULATION PROTECTION**  
Up to 23 locking authorisation requests per key
- **HIGH PROTECTION AGAINST DRILLING**  
The standard product is already equipped with various anti-drill pins. As an option, the cylinder can be equipped with an enhanced drill protection and thus meets the highest requirements in accordance with EN 1303; VdS and SKG regulations.
- **DIN EN 1303 CERTIFICATION (UNDER PREPARATION)**
- **2-IN-1 RECODING ALSO POSSIBLE IN LOCKING SYSTEMS (FROM 3RD QUARTER 2017)**  
If a higher-level key is lost, recoding is possible with a second set of the higher-level key.
- Available as registered individual locking (BZ+, MODULAR)
  - Variant 1: 6 keys
  - Variant 2: 2 x 3 keys, 2-in-1 recodable
- **SAFETY CARD INCLUDED IN THE SCOPE OF DELIVERY**



Front door   Cellar door   Garage door   Garden gate   Letter box

## In detail



- 1 NEW KEY HEAD DESIGN
- 2 LENGTH OF KEY BLADE MATCHED TO ALL STANDARD SAFETY FITTINGS
- 3 COMPLEX CODING IN THE KEY
- 4 REVERSIBLE KEY WITH TWO INDEPENDENTLY MOVING ROLLERS
- 6 ANTI BUMPING & ANTI PICKING PINS
- 7 DRILL-OPEN PROTECTION / ENHANCED DRILL-OPEN PROTECTION
- 8 10 PROFILE CONTROL PINS
- 5, 10 QUERY ELEMENTS FOR THE ROLLERS
- 5, 9, 10 11 SPRUNG TUMBLERS MADE OF SPECIAL BRASS OR HARDENED STEEL